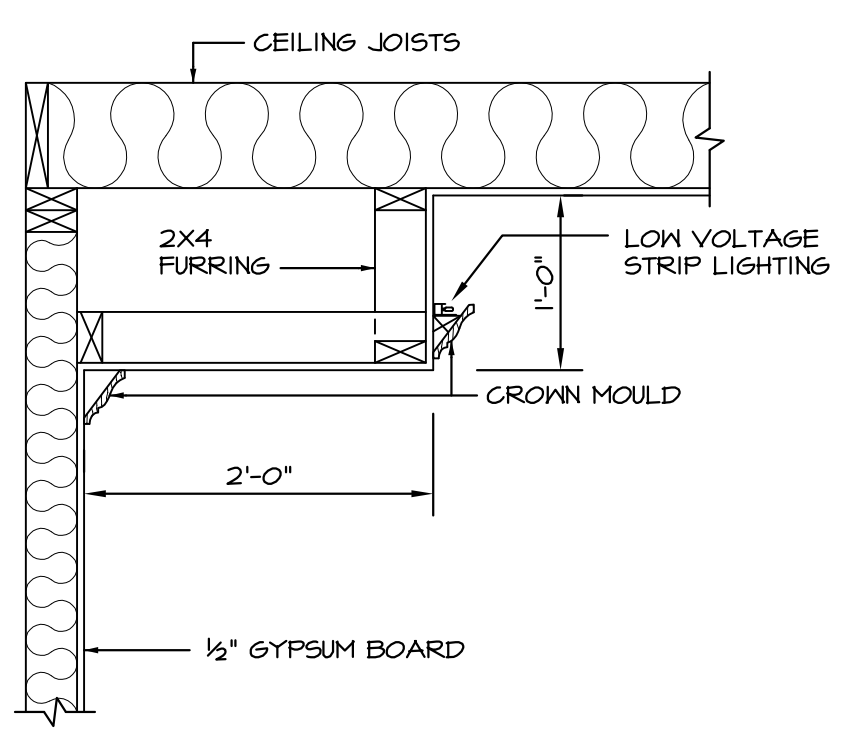
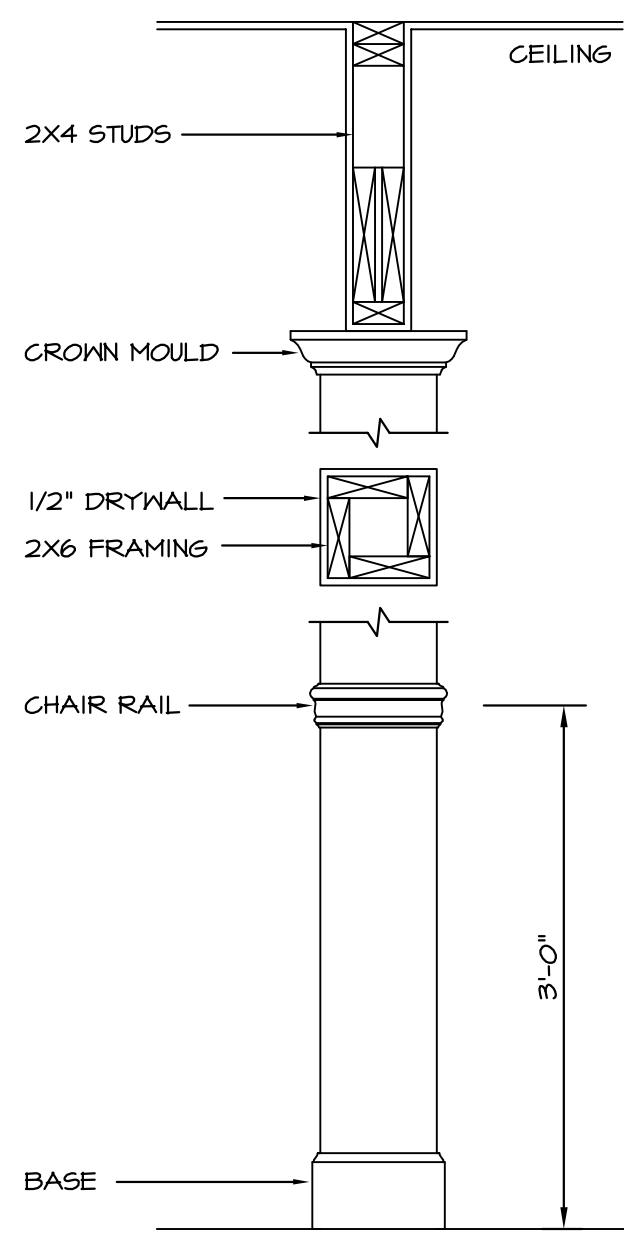


**1 ELEVATION** SC: 1/2"=1'-0"  
A-2 STUDY WINDOW



**2 DETAIL** SCALE: 1"=1'-0"  
A-2 TRAY CEILING/LIGHT COVE



**3 DETAIL** SCALE: 1"=1'-0"  
A-2 INTERIOR COLUMNS

