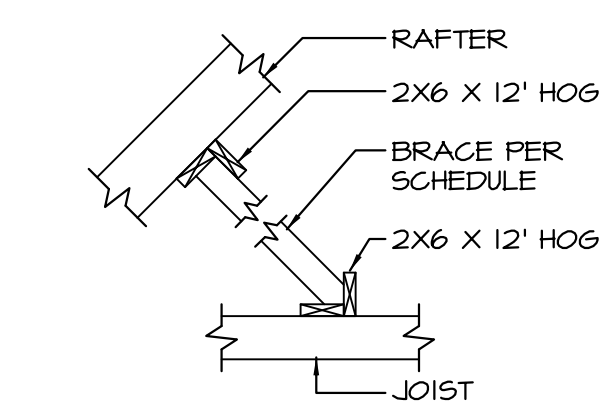
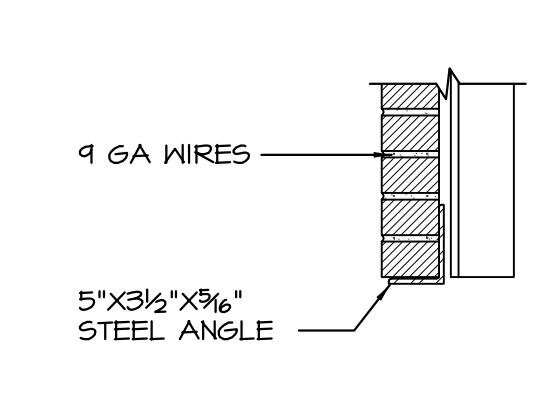


FRAMING NOTES

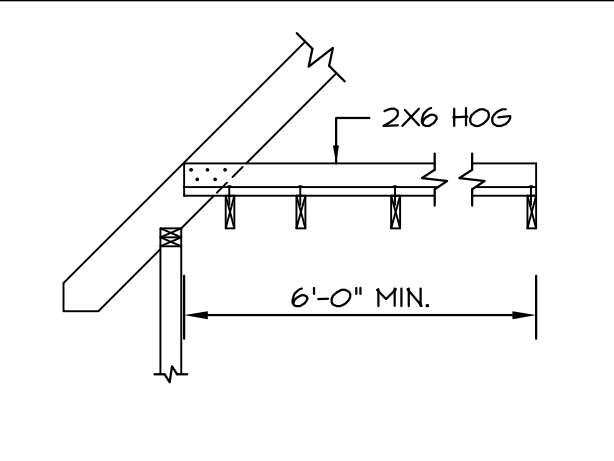
- FRAMING PLANS ARE DIAGRAMMATIC IN NATURE AND NOT INTENDED TO SHOW EXACT NUMBER OR LOCATION OF MEMBERS, UNLESS SO NOTED.
- ALL JOISTS, RAFTERS, HEADERS AND GIRDERS SHALL BE NO. 2 (OR BETTER) SOUTHERN YELLOW PINE (S.Y.P.).
- STUDS SHALL BE SPRUCE #2 STANDARD OR BETTER. STUD SPACING SHALL BE 16" O.C. FOR FIRST AND SECOND FLOORS, UNLESS OTHERWISE NOTED. LOAD BEARING WALLS IN BASEMENT LEVELS SHALL BE 12" O.C. FOR 2X4s AND 16" O.C. FOR 2X6s.
- BEARING UNDER LVL's SHALL BE 3 STUDS. BEARING UNDER STEEL BEAMS SHALL BE 5 STUDS, UNLESS OTHERWISE NOTED. ALL POINT LOADS FROM BEAMS, GIRDERS OR RAFTER BRACING MUST HAVE CONTINUOUS BLOCKING AND JACK STUDS CARRIED THROUGH ALL CONSTRUCTION TO THE FOUNDATION OR SUPPORTING BEAM BELOW.
- HEADERS, BEAMS, AND GIRDERS SHALL BE INSTALLED IN STRICT ACCORDANCE WITH NORTH CAROLINA STATE RESIDENTIAL BUILDING CODE TABLES, BUT IN NO CASE SHALL HEADERS BE LESS THAN 2-2X10.
- EXTERIOR WALLS SHALL BE EFFECTIVELY BRACED WITH LET-IN 1X4 BRACING, STRUCTURAL SHEATHING, OR APPROVED METAL STRAPS. BRACING SHALL BE LOCATED AT EACH END AND EVERY 25' OF WALL LENGTH.
- JOISTS SHALL BE DOUBLED UNDER PARALLEL PARTITIONS.
- ALL HOGS ON CEILING JOISTS OR RAFTERS SHALL BE 2X6 X 12', UNLESS OTHERWISE NOTED. REFER TO DETAIL BELOW.
- INSTALL ONE ROW OF BRIDGINS IN JOIST SPANS BETWEEN 8' AND 12', TWO ROWS IN JOIST SPANS OF 12' OR MORE.
- INTERIOR FRAMING SHALL BE 4" CLEAR OF BACK AND 2" CLEAR OF SIDES OF MASONRY FIREPLACES.
- ALL FRAMING IN CONTACT WITH MASONRY OR CONCRETE SHALL BE PRESSURE TREATED SOUTHERN YELLOW PINE.
- MASONRY LINTELS SHALL BE AS FOLLOWS:
 A) FOR SPANS UP TO 6': 3/2"x3/2"x4" STEEL ANGLE
 B) FOR SPANS FROM 6' TO 9': 5"x3/2"x3/8" STEEL ANGLE
 C) FOR SPANS FROM 9' TO 10': ONE PAIR OF 9 GAUGE WIRES ABOVE EACH OF THE FIRST 3 COURSES OF BRICK ON A 5"x3/2"x3/8" STEEL ANGLE. LAP ALL 9 GAUGE WIRE SPLICES 12" MINIMUM AND EXTEND WIRES 12" INTO JAMBS. TEMPORARILY SUPPORT STEEL ANGLE BEFORE LAYING MASONRY. SHORING MAY BE REMOVED 5 DAYS AFTER INSTALLATION OF MASONRY. REFER TO DETAIL BELOW.
 D) WHEN STRUCTURAL BEAMS WITH BOTTOM PLATES ARE USED TO SUPPORT THE MASONRY, THE BOTTOM PLATE MUST EXTEND THE FULL LENGTH OF THE BEAM. THE BEAM SHALL BE TEMPORARILY SHORED PRIOR TO LAYING THE MASONRY. THE SHORING MAY BE REMOVED 5 DAYS AFTER INSTALLATION OF MASONRY.
- RAFTERS SHALL BE SPLICED ONLY WHEN NECESSARY BECAUSE OF LENGTH. SPLICES, WHEN NECESSARY, SHALL BE MADE ONLY ABOVE KNEE WALLS OR SUPPORTS AS SHOWN ON THE DRAWINGS.
- WHEN CEILING JOISTS ARE PARALLEL TO AN EXTERIOR WALL AND RAFTERS BEAR ON THIS EXTERIOR WALL, TIE THE RAFTERS TO THE JOISTS WITH 2X6 HOGS A MINIMUM OF 6' LONG AT 6' O.C. REFER TO DETAIL BELOW.
- ALL ROOF BRACES SHALL BE 2-2X4 WITH 16d NAILS @ 4" O.C. BRACE SPACING SHALL BE 6'-0" O.C. AT 2X6 HOGS AND 7'-6" O.C. AT 2X6 HOGS. BRACES LONGER THAN 10' MUST BE BRACED HORIZONTALLY IN TWO DIRECTIONS AT MID-HEIGHT AT 45/45 MINIMUM.
- GABLE END FRAMING MUST BE BRACED PARALLEL TO RIDGE WITH A MINIMUM OF 2X4 DIAGONAL BRACES @ 6' O.C. ALONG GABLE WALL TO INTERIOR CEILING JOISTS. BRACES BEAR 6' FROM WALL APPROXIMATELY IN CENTER OF 2X6 X 12 HOG ACROSS CEILING JOISTS. BRACE SHALL BE AT APPROXIMATELY 45/45. REFER TO DETAIL BELOW.



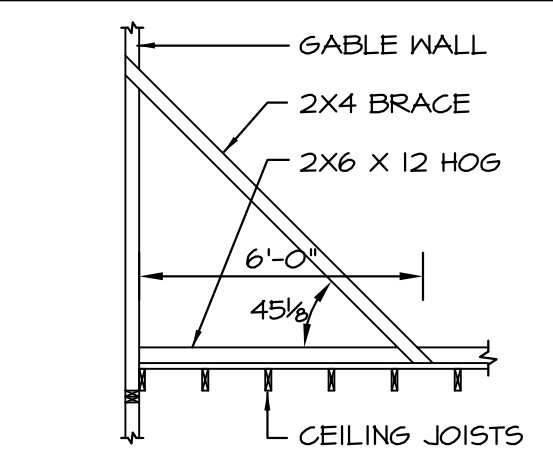
4. HOG DETAIL



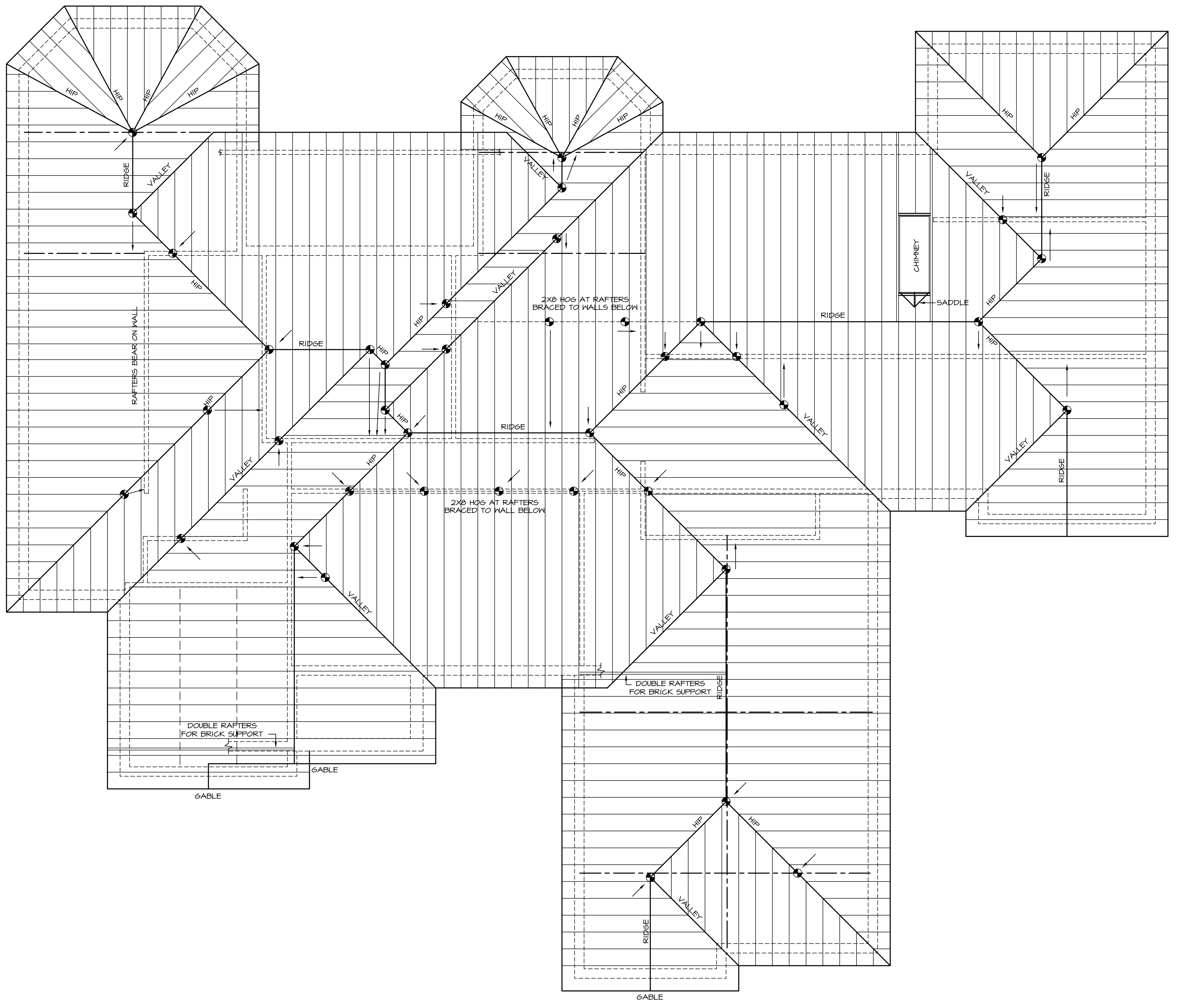
12.C LINTEL DETAIL



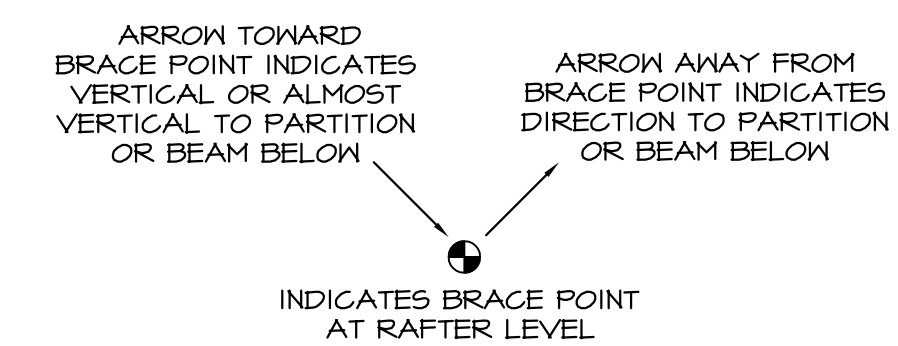
14. JOIST/RAFTER TIE DETAIL



16. GABLE BRACE DETAIL



- ROOF FRAMING NOTES:
- ALL RAFTERS SHALL BE NO. 2 OR BETTER S.Y.P. 2X8s. RAFTERS SHALL BE CUT IN TO HIPs, VALLEYs AND RIDGES, UNLESS OTHERWISE NOTED.
 - ALL VALLEY, HIP AND RIDGE RAFTERS SHALL BE NO. 2 OR BETTER S.Y.P. 2X10s.
 - INSTALL 2X4 COLLAR TIES IN THE UPPER THIRD OF RAFTERS @ 48" O.C. AT ALL RIDGES. INSTALL A MINIMUM OF THREE COLLAR TIES AT ALL RIDGES, EVEN IF TWO TIES MUST BE PUT ON ONE SET OF RAFTERS.



ROOF PLAN

SCALE: 1/4"=1'-0"